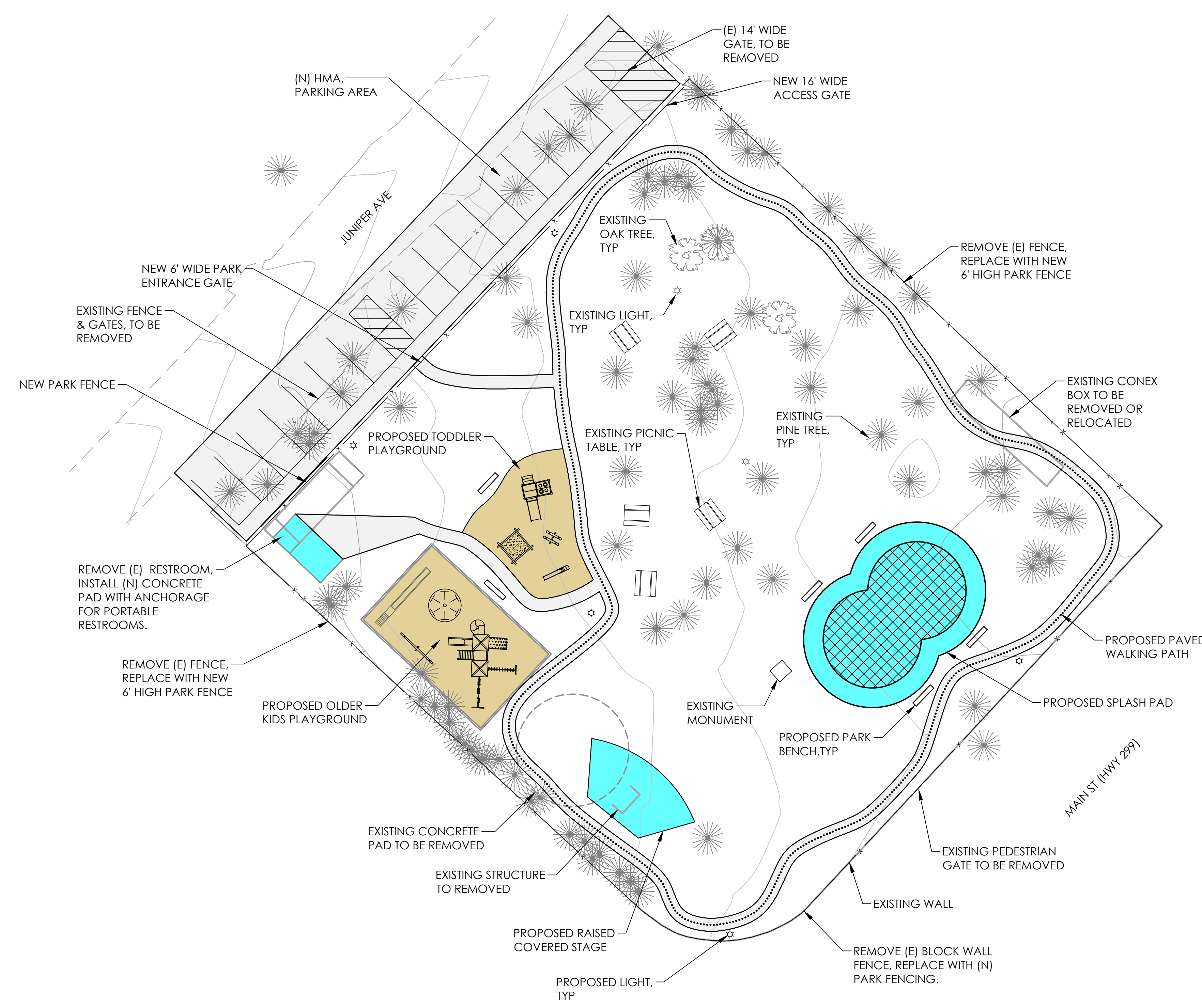


1"=20'

- LEGEND**
- PROPOSED PAVED PARKING & PATH
 - PROPOSED STAGE & SPLASH PAD AREA
 - PROPOSED PLAYGROUND AREA
 - (E) WALL
 - (N) PATH
 - (E) CONC
 - (N) CONC
 - x- (E) FENCE LINE
 - x- (N) FENCE LINE
 - WALKING ROUTE (1/8 MILE)



DRAFT

BAR IS ONE INCH ON ORIGINAL DRAWING
0" 1"
IF NOT ONE INCH ON THIS SHEET, ADJUST SCALES ACCORDINGLY.

| REVISIONS | | |
|-----------|------|-------------|
| NO | DATE | DESCRIPTION |
| | | |
| | | |
| | | |
| | | |
| | | |

PACE ENGINEERING
REDDING, CALIFORNIA

| | | |
|--------|---------------|---------|
| DES TJ | CKD | JOB NO. |
| DRN TJ | DATE 11/10/20 | 306.41 |

SIGNED

BURNEY WATER DISTRICT
PARK MASTER PLAN
CIVIC PARK IMPROVEMENT PLAN

SHEET
1
PG X OF XX

Plot Date: November 10, 2020 - 128 pm Login Name: tjones
 File Name: M:\Land Projects\030641\Burney Parks\Civic Park Improvement_Plan.dwg Layout: Civic Park

1" = 20'

LEGEND

- PROPOSED PAVEMENT
- PROPOSED SPLASH PAD & CONC

- (E) EP
- (N) EP
- (E) CONC
- (N) CONC
- x — (E) FENCE LINE



RELOCATE (E) PICNIC TABLE

(N) FENCE

EXISTING PICNIC TABLE, TYP

REMOVE (E) FENCE AND GATES AROUND POOLS, REPLACE WITH (N) FENCE AND GATES

EXISTING POOL

EXISTING POOL

EXISTING KIDDIE POOL TO BE REMOVED AND REPLACED WITH PROPOSED SPLASH PAD

PROPOSED CONC ACCESSIBLE CURB RAMP

REMOVE / GRIND EXISTING PAVEMENT. REGRADE AND PAVE NEW PARKING AREA

(N) PARKING LIGHTS

PROPOSED STRIPING

BAR IS ONE INCH ON ORIGINAL DRAWING

0" — 1"

IF NOT ONE INCH ON THIS SHEET, ADJUST SCALES ACCORDINGLY.

| REVISIONS | | |
|-----------|------|-------------|
| NO | DATE | DESCRIPTION |
| | | |
| | | |
| | | |
| | | |

PACE ENGINEERING
 REDDING, CALIFORNIA

DES: TJ CKD: JOB NO.:
 DRN: TJ DATE: 11/10/20 306.41

SIGNED

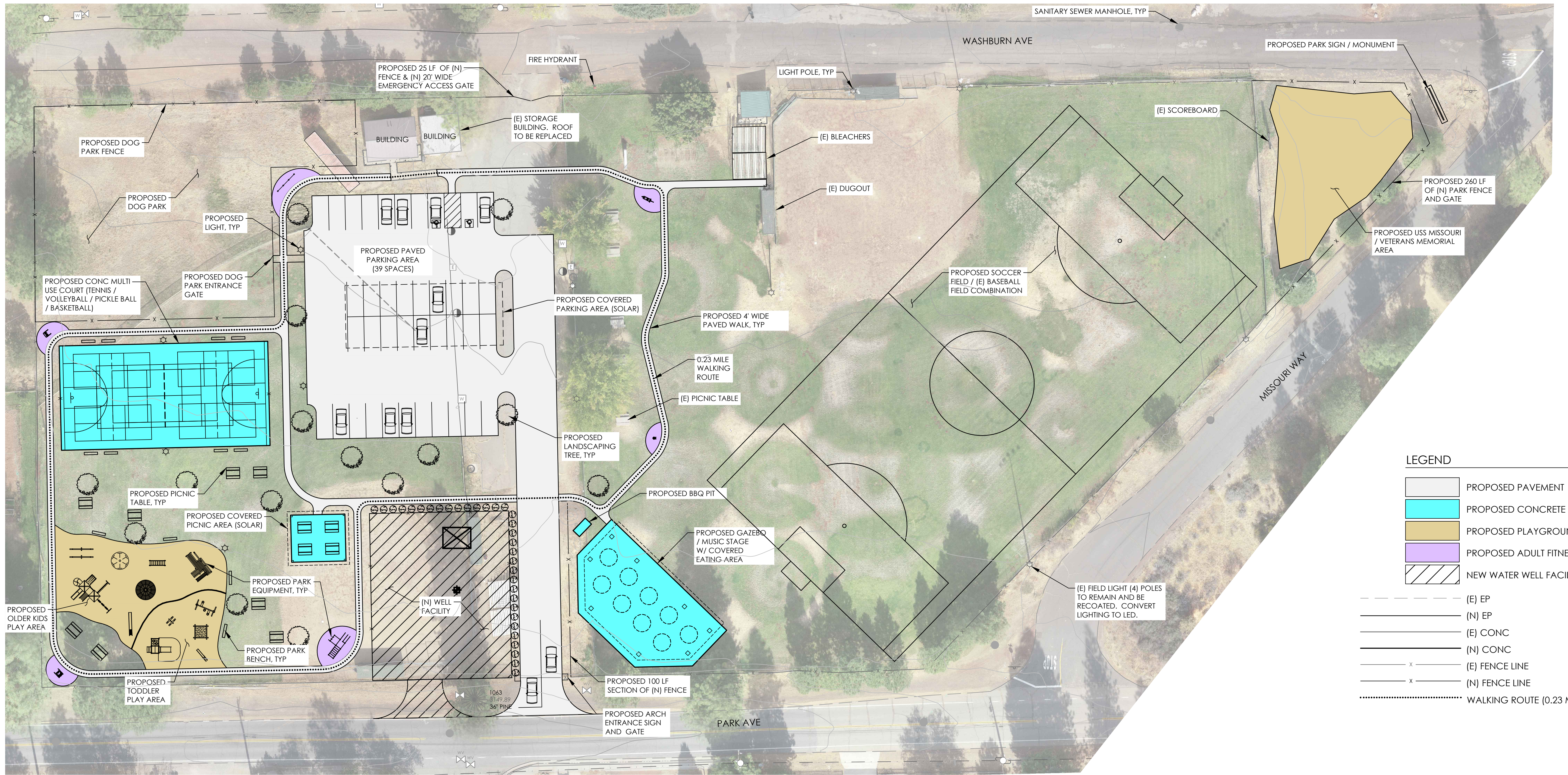
BURNEY WATER DISTRICT
 PARK MASTER PLAN

RAYMOND BERRY POOL PARK IMPROVEMENTS

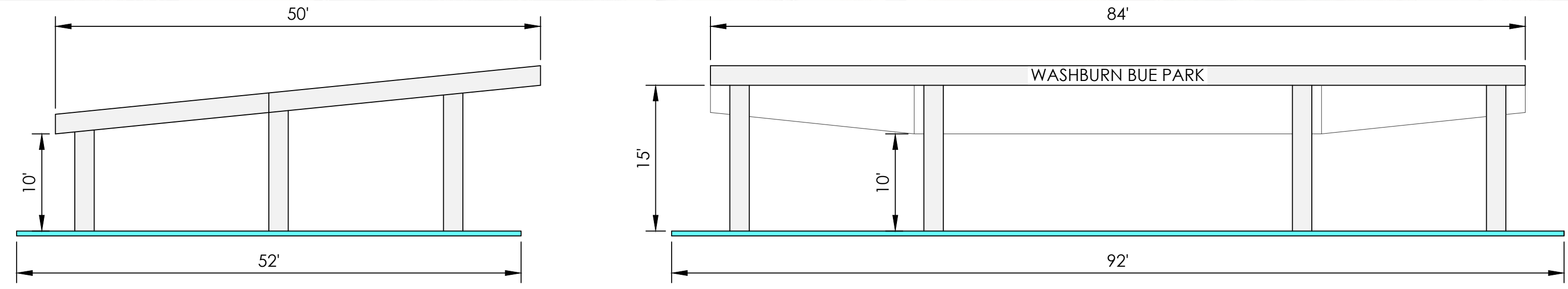
DRAFT

SHEET
1
 PG X OF XX

Plot Date: November 10, 2020 - 128 pm Login Name: tjones
 File Name: M:\Land Projects\030641 Burney Parks\Raymond Berry Pool Improvement Plan.dwg Layout: Raymond Berry Pool



- LEGEND**
- PROPOSED PAVEMENT
 - PROPOSED CONCRETE AREA
 - PROPOSED PLAYGROUND AREA
 - PROPOSED ADULT FITNESS COURSE
 - NEW WATER WELL FACILITY SITE
 - (E) EP
 - (N) EP
 - (E) CONC
 - (N) CONC
 - x- (E) FENCE LINE
 - x- (N) FENCE LINE
 - WALKING ROUTE (0.23 MILES)



WASHBURN BUE PARK - GAZEBO / MUSIC STAGE
1"=10'

BAR IS ONE INCH ON ORIGINAL DRAWING
0' 1"
IF NOT ONE INCH ON THIS SHEET, ADJUST SCALES ACCORDINGLY.

| REVISIONS | | |
|-----------|------|-------------|
| NO | DATE | DESCRIPTION |
| | | |
| | | |
| | | |
| | | |

PACE ENGINEERING
REDDING, CALIFORNIA

DES: TJ CKD: JOB NO.:
DRN: TJ DATE: 11/10/20 306.41

SIGNED

BURNEY WATER DISTRICT
PARK MASTER PLAN

WASHBURN BUE PARK IMPROVEMENT PLAN

DRAFT

SHEET
1
PG X OF XX

Plot Date: November 10, 2020 - 1:27 pm Login Name: tjones
File Name: M:\Land Projects\030641 Burney Parks\Washburn Bue Park Improvement Plan\Washburn Bue Park Improvement Plan.dwg